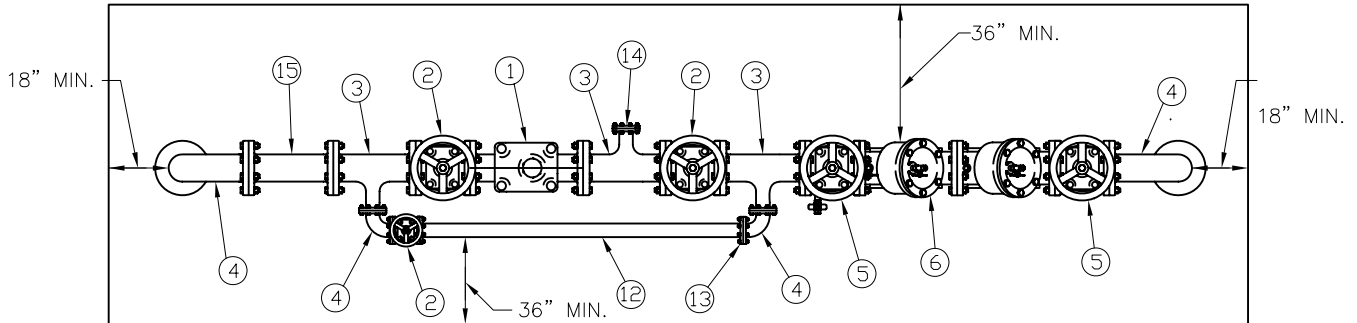


SECTION



PLAN

MATERIALS

ITEM	QUANT.	DESCRIPTION
1	1	WATER METER 3" THRU 12"
2	3	VALVE, GATE RESILIENT WEDGE W/ HAND WHEEL FLG x FLG
3	3	TEE, FLG x FLG x FLG
4	4	BEND 90° FLG x FLG
5	2	VALVE, GATE FLG x FLG RESILIENT SEAT O, S & Y
6	1	BACK FLOW PREVENTER - R.P.Z. PRINCIPLE
7		SUPPORTS (AS NEEDED)
8	2	SPOOL PIECE FLG x PE D.I.P.
9	2	BEND 90° MJ x MJ
10	4	GLAND, RETAINER M.J. (MEGALUG OR EQUAL)
11	1	CONCRETE SLAB 6" THICK W/ 6"x6" 10/10 WELDED WIRE
12	1	BY-PASS PIPE D.I.P. FLG x PE
13	1	EBAA SERIES 2100 MEGAFLANGE
14	1	BLIND FLANGE TAPPED 2" FIP W /2" GALV. PLUG
15	1	SPOOL PIECE FLG x FLG - LENGTH TO BE 8 PIPE DIAMETERS

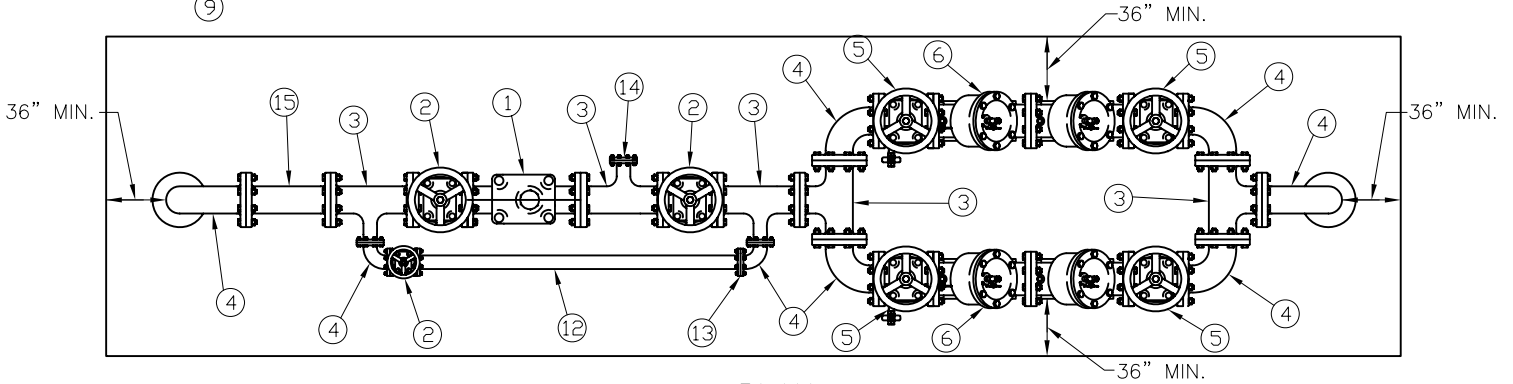
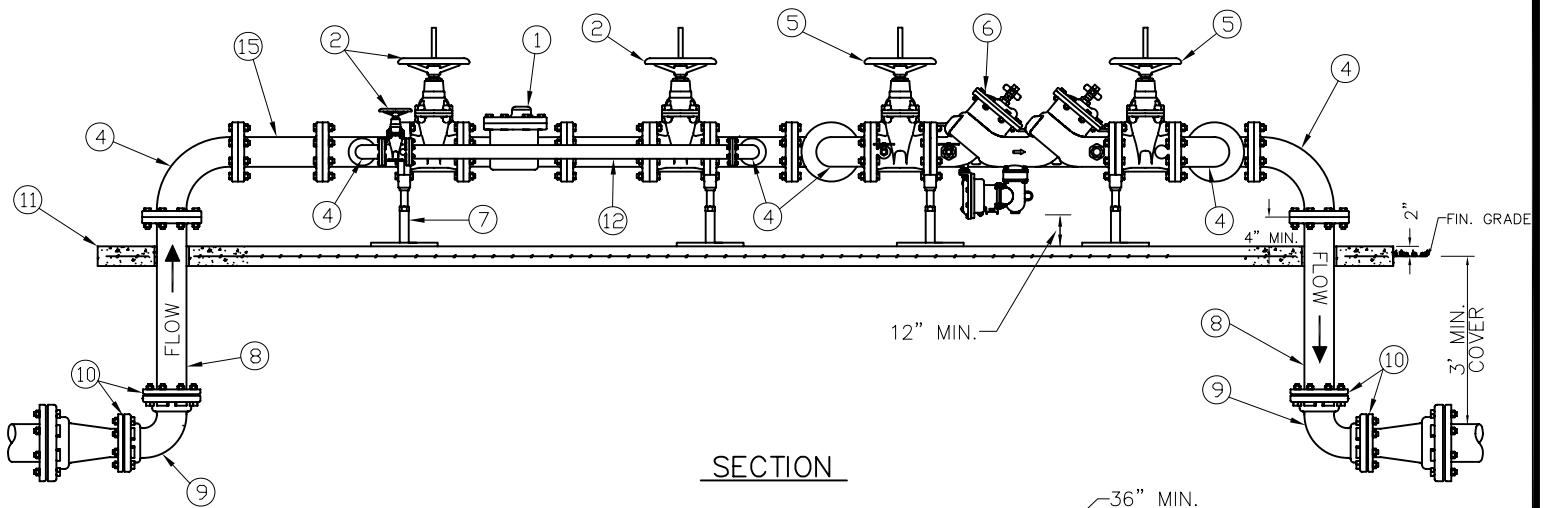
NOTE:

- NO TIE RODS OR EYE BOLT RETAINERS PERMITTED ABOVE GROUND.
- METER & B.F.P. ASSEMBLY TO BE INSTALLED LEVEL & PLUMB.
- METER BY-PASS TO BE SIZED NO LESS THAN 1/2 METER SIZE.
- ENTIRE ASSEMBLY TO BE PAINTED SAFETY BLUE.
- B.F.P. TO BE SIZED EQUAL TO OR GREATER THAN METER SIZE.
- MECHANICAL JOINTS SHALL BE RESTRAINED AS SPECIFIED BY COUNTY/ENGINEER.
- BELL JOINT RESTRAINERS SHALL BE PROVIDED ON ALL UNDERGROUND PIPING AS SPECIFIED IN THE JOINT RESTRAINT TABLE DETAIL
- ALL ABOVE GROUND PIPING SHALL BE FLANGED DUCTILE IRON PIPE (NO GALVANIZED OR PVC)
- **HAND WHEELS TO BE LOCKED WITH CHAINS**
- BFP DEVICE MUST BE LISTED WITH THE UNIVERSITY OF SOUTHERN CALIFORNIA FOUNDATION FOR CROSS CONNECTION CONTROL AND HYDRAULIC RESEARCH.
- FOR REUSE METER, DELETE BACKFLOW PREVENTER & PAINT ENTIRE ASSEMBLY PURPLE.
- INLET AND DISCHARGE PIPING SHALL BE SIZED IDENTICAL TO METER INLET SIZE

BULK METER
INSTALLATION - WITH
SINGLE B.F.P.

PROVIDED FOR INFORMATIONAL
PURPOSES ONLY.

Florida Governmental Utility Authority



PLAN

MATERIALS		
ITEM	QUANT.	DESCRIPTION
1	1	WATER METER 3" THRU 12"
2	3	VALVE, GATE RESILIENT WEDGE W/ HAND WHEEL FLG x FLG
3	5	TEE, FLG x FLG x FLG
4	8	BEND 90° FLG x FLG
5	4	VALVE, GATE FLG x FLG RESILIENT SEAT 0, S & Y
6	2	BACK FLOW PREVENTER – R.P.Z. PRINCIPLE
7		SUPPORTS (AS NEEDED)
8	2	SPOOL PIECE FLG x PE D.I.P.
9	2	BEND 90° MJ x MJ
10	4	GLAND, RETAINER M.J.
11	1	CONCRETE SLAB 6" THICK W/ 6"x6" 10/10 WELDED WIRE
12	1	BY-PASS PIPE D.I.P. FLG x PE
13	1	UNIFLANGE D.I.P.
14	1	BLIND FLANGE TAPPED 2" FIP W /2" GALV. PLUG
15	1	SPOOL PIECE FLG x FLG – LENGTH TO BE 8 PIPE DIAMETERS

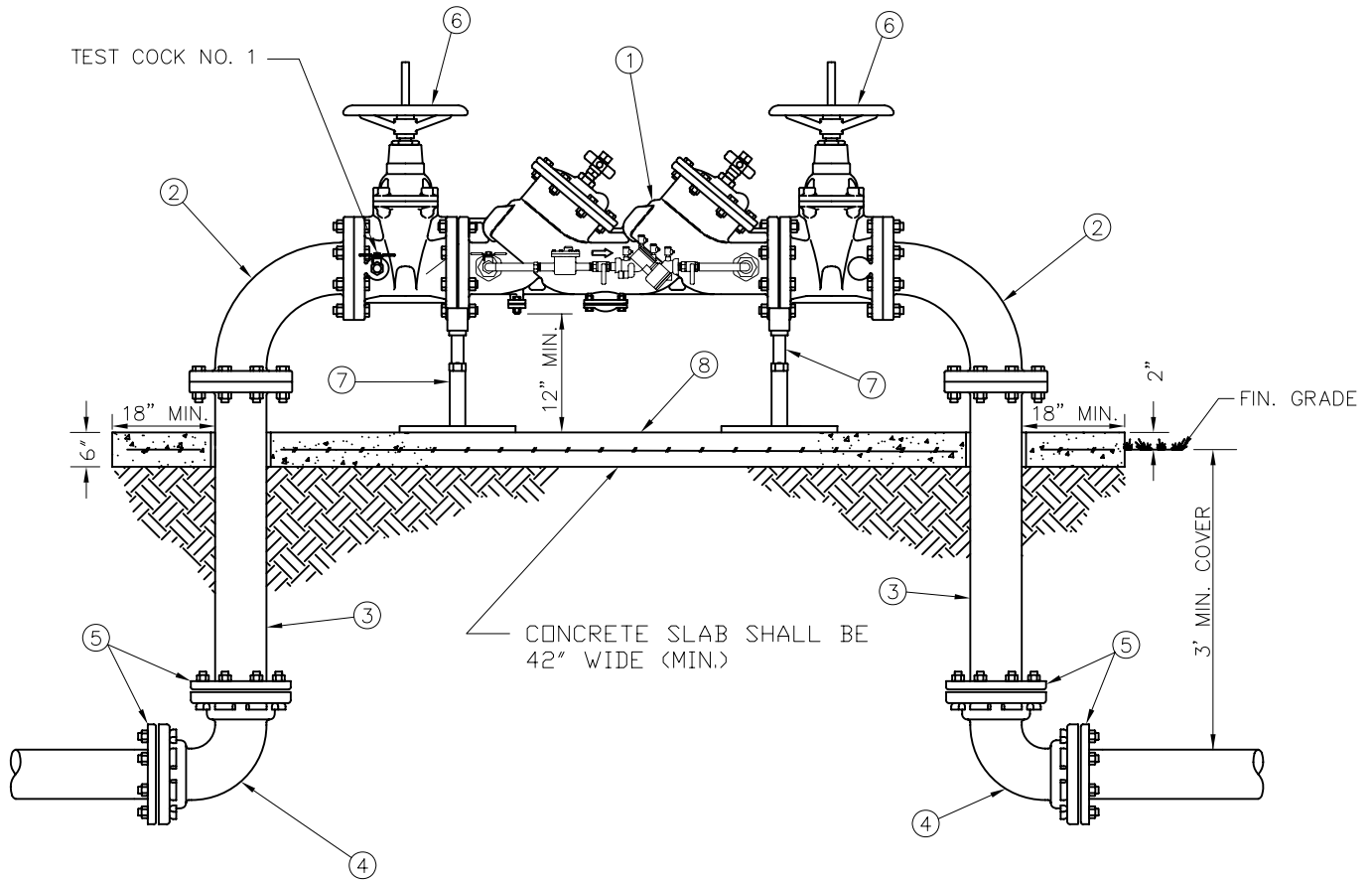
NOTE:

- NO TIE RODS OR EYE BOLT RETAINERS PERMITTED ABOVE GROUND.
- METER & B.F.P. ASSEMBLY TO BE INSTALLED LEVEL & PLUMB.
- METER BY-PASS TO BE SIZED NO LESS THAN 1/2 METER SIZE.
- ENTIRE ASSEMBLY TO BE PAINTED SAFETY BLUE.
- B.F.P. TO BE SIZED EQUAL TO OR GREATER THAN METER SIZE.
- MECHANICAL JOINTS SHALL BE RESTRAINED AS SPECIFIED BY COUNTY/ENGINEER.
- BELL JOINT RESTRAINERS SHALL BE PROVIDED ON ALL UNDERGROUND PIPING AS SPECIFIED IN THE JOINT RESTRAINT TABLE DETAIL
- ALL ABOVE GROUND PIPING SHALL BE FLANGED DUCTILE IRON PIPE (NO GALVANIZED OR PVC)
- **HAND WHEELS TO BE LOCKED WITH CHAINS**
- BFP DEVICE MUST BE LISTED WITH THE UNIVERSITY OF SOUTHERN CALIFORNIA FOUNDATION FOR CROSS CONNECTION CONTROL AND HYDRAULIC RESEARCH.
- FOR REUSE METER, DELETE BACKFLOW PREVENTER & PAINT ENTIRE ASSEMBLY PURPLE.
- INLET AND DISCHARGE PIPING SHALL BE SIZED IDENTICAL TO METER INLET SIZE

BULK METER
INSTALLATION – WITH
PARALLEL B.F.P.

Florida Governmental Utility Authority

PROVIDED FOR INFORMATIONAL
PURPOSES ONLY.



M A T E R I A L S

ITEM	QUANT.	DESCRIPTION
1	1	3", 4", 6", 8" DOUBLE CHECK VALVE/BFP ASSEMBLY WITH DETECTOR ASSEMBLY
2	2	3", 4", 6", 8" BEND, 90° FLANGE x FLANGE
3	2	3", 4", 6", 8" SPOOL PIECE FLG. x PE. D.I.P.
4	2	3", 4", 6", 8" BEND, 90° M.J. x M.J.
5	4	3", 4", 6", 8" GLAND, RETAINER M.J. (MEGALUG)
6	2	3", 4", 6", 8" VALVE, GATE FLG. x FLG. RESILIENT WEDGE O.S. & Y.
7	2	SUPPORT (AS NEEDED)
8	1	CONCRETE SLAB (6" THICK - 42" WIDE MIN.)

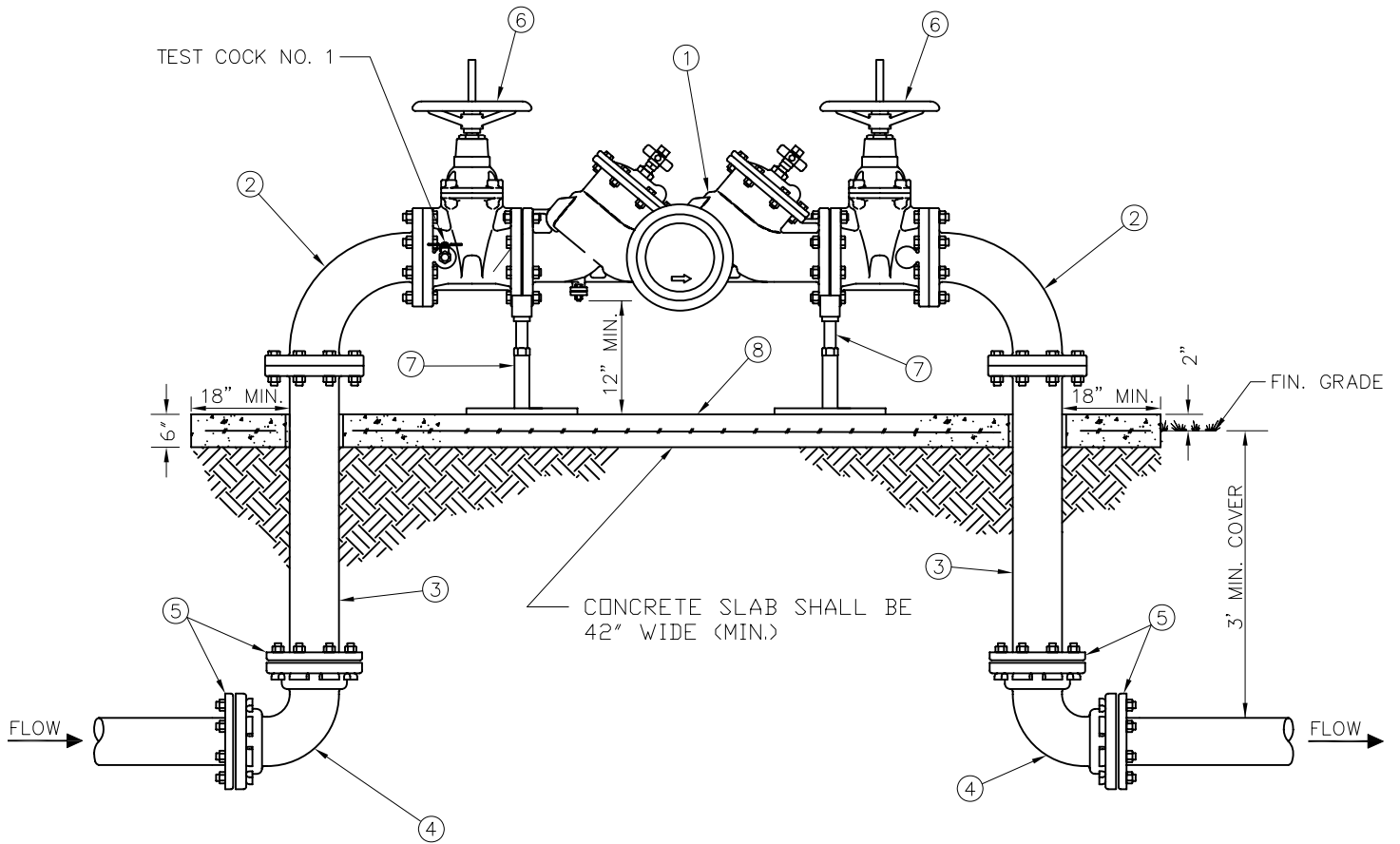
NOTE:

- NO TIE RODS OR EYE BOLT RETAINERS PERMITTED ABOVE GROUND.
- B.F.P. ASSEMBLY TO BE INSTALLED LEVEL & PLUMB.
- MINIMUM CLEARANCE OF 36" TO BE MAINTAINED AROUND ENTIRE DEVICE FOR TESTING
- ENTIRE ASSEMBLY TO BE PAINTED SAFETY BLUE.
- DETECTOR BY-PASS ASSEMBLY TO BE FACTORY INSTALLED AND CERTIFIED
- ALL MECHANICAL JOINTS SHALL BE RESTRAINED WITH MEGALUGS OR APPROVED EQUAL
- BELL JOINT RESTRAINERS SHALL BE PROVIDED ON ALL UNDERGROUND PIPING AS SPECIFIED IN JOINT RESTRAINT TABLE DETAIL
- ALL ABOVE GROUND PIPING SHALL BE FLANGED DUCTILE IRON PIPE (NO GALVANIZED OR PVC)
- ITEM 3 SHALL BE FIELD CUT TO PROPER LENGTH TO ACHIEVE DESIGNATED GROUND CLEARANCE
- IF SO SPECIFIED, ENTIRE ASSEMBLY TO BE ENCLOSED IN 6' CHAIN LINK FENCE.
- BFP DEVICE MUST BE LISTED WITH THE UNIVERSITY OF SOUTHERN CALIFORNIA FOUNDATION FOR CROSS CONNECTION CONTROL AND HYDRAULIC RESEARCH.
- **HAND WHEELS TO BE LOCKED WITH CHAINS**

DOUBLE DETECTOR CHECK VALVE
ASSEMBLY/BACKFLOW PREVENTER
(SINGLE SERVICE: 3", 4", 6", 8", 10")

Florida Governmental Utility Authority

PROVIDED FOR INFORMATIONAL
PURPOSES ONLY.



M A T E R I A L S		
ITEM	QUANT.	DESCRIPTION
1	1	3", 4", 6", 8" BFP, REDUCED PRESSURE PRINCIPLE WITH DETECTOR ASSEMBLY
2	2	3", 4", 6", 8" BEND, 90° FLANGE x FLANGE
3	2	3", 4", 6", 8" SPOOL PIECE FLG. x PE. D.I.P.
4	2	3", 4", 6", 8" BEND, 90° M.J. x M.J.
5	4	3", 4", 6", 8" GLAND, RETAINER M.J. (MEGALUG)
6	2	3", 4", 6", 8" VALVE, GATE FLG. x FLG. RESILIENT WEDGE O.S. & Y.
7	2	SUPPORT (AS NEEDED)
8	1	CONCRETE SLAB (6" THICK)

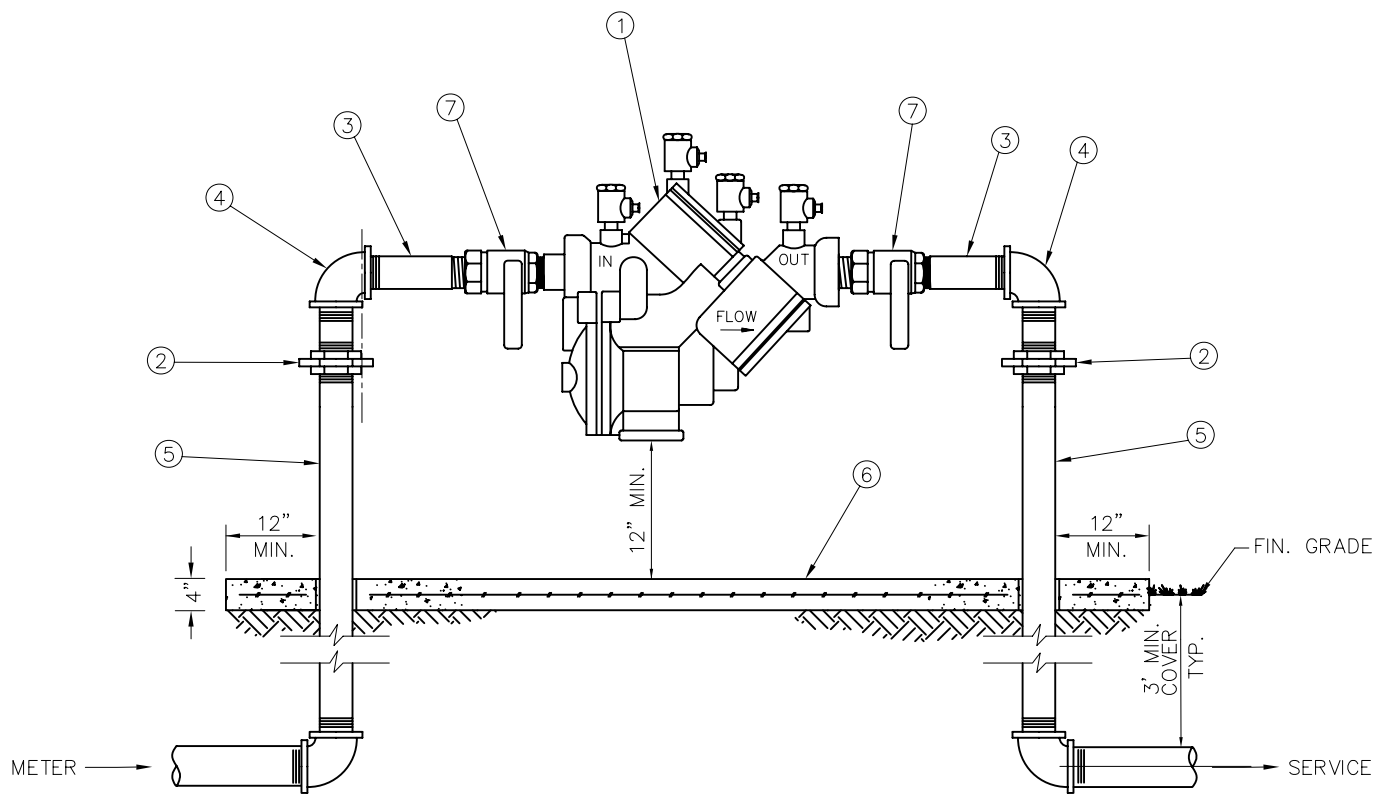
NOTE:

- NO TIE RODS OR EYE BOLT RETAINERS PERMITTED ABOVE GROUND.
- B.F.P. ASSEMBLY TO BE INSTALLED LEVEL & PLUMB.
- MINIMUM CLEARANCE OF 36" TO BE MAINTAINED AROUND ENTIRE DEVICE FOR TESTING
- ENTIRE ASSEMBLY TO BE PAINTED SAFETY BLUE.
- DETECTOR BY-PASS ASSEMBLY TO BE FACTORY INSTALLED AND CERTIFIED
- ALL MECHANICAL JOINTS SHALL BE RESTRAINED WITH MEGALUGS OR APPROVED EQUAL
- BELL JOINT RESTRAINERS SHALL BE PROVIDED ON ALL UNDERGROUND PIPING AS SPECIFIED IN JOINT RESTRAINT TABLE DETAIL
- ALL ABOVE GROUND PIPING SHALL BE FLANGED DUCTILE IRON PIPE (NO GALVANIZED OR PVC)
- ITEM 3 SHALL BE FIELD CUT TO PROPER LENGTH TO ACHIEVE DESIGNATED GROUND CLEARANCE
- IF SO SPECIFIED, ENTIRE ASSEMBLY TO BE ENCLOSED IN 6' CHAIN LINK FENCE.
- BFP DEVICE MUST BE LISTED WITH THE UNIVERSITY OF SOUTHERN CALIFORNIA FOUNDATION FOR CROSS CONNECTION CONTROL AND HYDRAULIC RESEARCH.
- **HAND WHEELS TO BE LOCKED WITH CHAINS**

REDUCED PRESSURE BACKFLOW PREVENTER
(SINGLE SERVICE: 3", 4", 6", 8")

PROVIDED FOR INFORMATIONAL
PURPOSES ONLY.

Florida Governmental Utility Authority



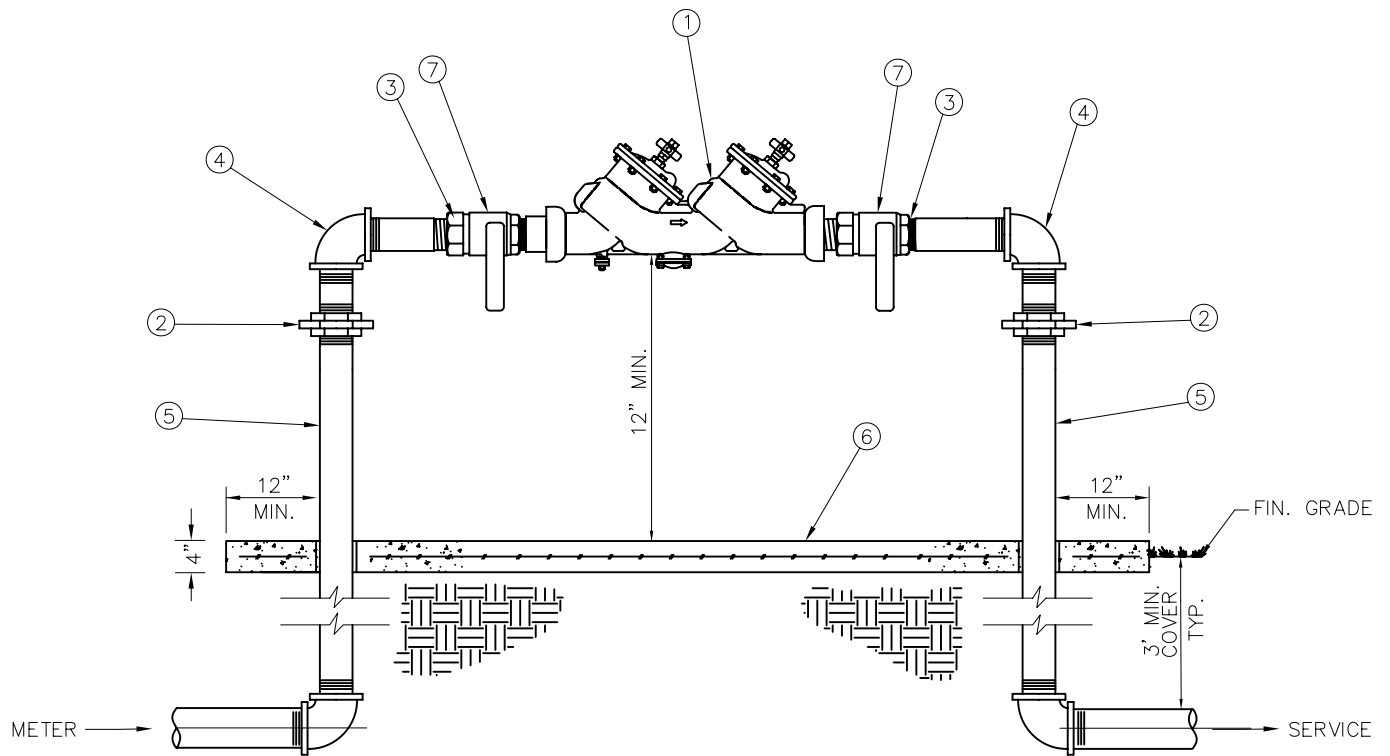
M A T E R I A L S		
ITEM	QUANT.	DESCRIPTION
1	1	BACKFLOW PREVENTER ASSEMBLY, REDUCED PRESSURE ZONE
2	2	UNIONS - GALV.
3	2	NIPPLES - BRASS
4	2	ELBOWS - GALV. 90°
5	2	RISER - GALV. OR MAY NEED TO BE BRASS IN SALT WATER
6	*	CONCRETE SLAB
7	2	BALL VALVES - BRASS OR S.S. (PROVIDED WITH BFP ASS'Y)

- NOTE:
- FIELD ADJUST AND CUT ITEM 5 TO THE PROPER LENGTH.
 - MINIMUM CLEARANCE OF 24" TO BE MAINTAINED AROUND DEVICE FOR TESTING.
 - ENTIRE ASSEMBLY TO BE PAINTED SAFETY BLUE.
 - CONCRETE SLAB TO EXTEND 12" MIN. AROUND ENTIRE DEVICE.
 - DEVICE MUST BE LISTED WITH THE UNIVERSITY OF SOUTHERN CALIFORNIA FOUNDATION FOR CROSS CONNECTION CONTROL AND HYDRAULIC RESEARCH.
 - **NO ABOVE GROUND PLASTIC PIPING**

REDUCED PRESSURE
BACKFLOW PREVENTER
(SINGLE SERVICE: 3/4", 1", 1-1/2", 2")

Florida Governmental Utility Authority

PROVIDED FOR INFORMATIONAL
PURPOSES ONLY.



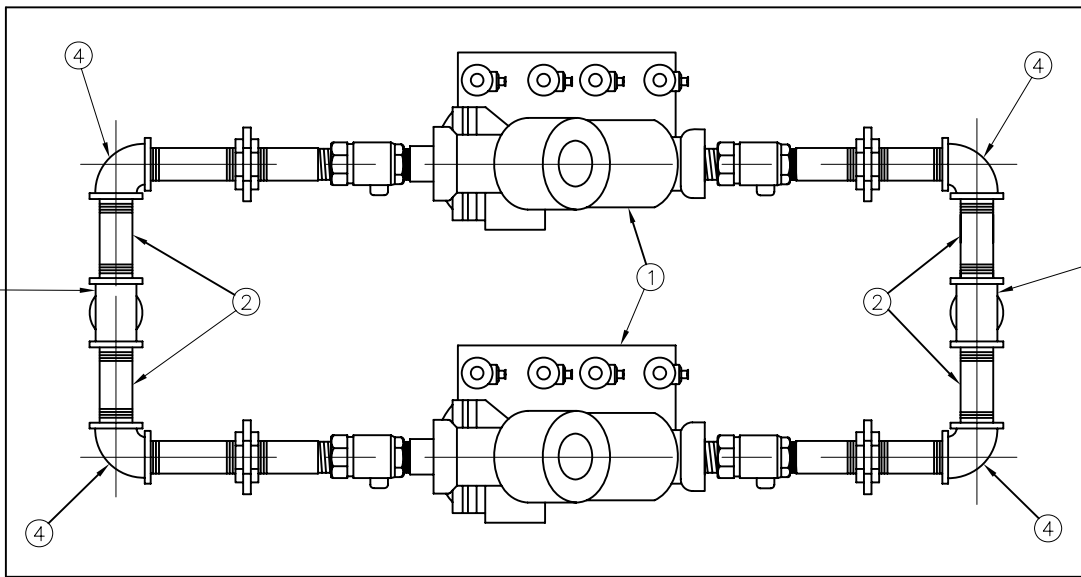
M A T E R I A L S		
ITEM	QUANT.	DESCRIPTION
1	1	BACKFLOW PREVENTER ASSEMBLY, DOUBLE CHECK VALVE
2	2	UNIONS - GALV.
3	2	NIPPLES - BRASS
4	2	ELBOWS - GALV. 90°
5	2	RISER - GALV.
6	*	CONCRETE SLAB
7	2	BALL VALVES - BRASS OR S.S. (PROVIDED WITH BFP ASS'Y)

- NOTE:
- FIELD ADJUST AND CUT ITEM 5 TO THE PROPER LENGTH.
 - BFP DEVICE TO BE INSTALLED LEVEL AND PLUMB
 - MINIMUM CLEARANCE OF 24" TO BE MAINTAINED AROUND DEVICE FOR TESTING.
 - ENTIRE ASSEMBLY TO BE PAINTED SAFETY BLUE.
 - CONCRETE SLAB TO EXTEND 12" MIN. AROUND ENTIRE DEVICE.
 - DEVICE MUST BE LISTED WITH THE UNIVERSITY OF SOUTHERN CALIFORNIA FOUNDATION FOR CROSS CONNECTION CONTROL AND HYDRAULIC RESEARCH.
 - **NO ABOVE GROUND PLASTIC PIPING**
 - **ALLOWED TO BE INSTALLED UNDERGROUND IN VAULT**

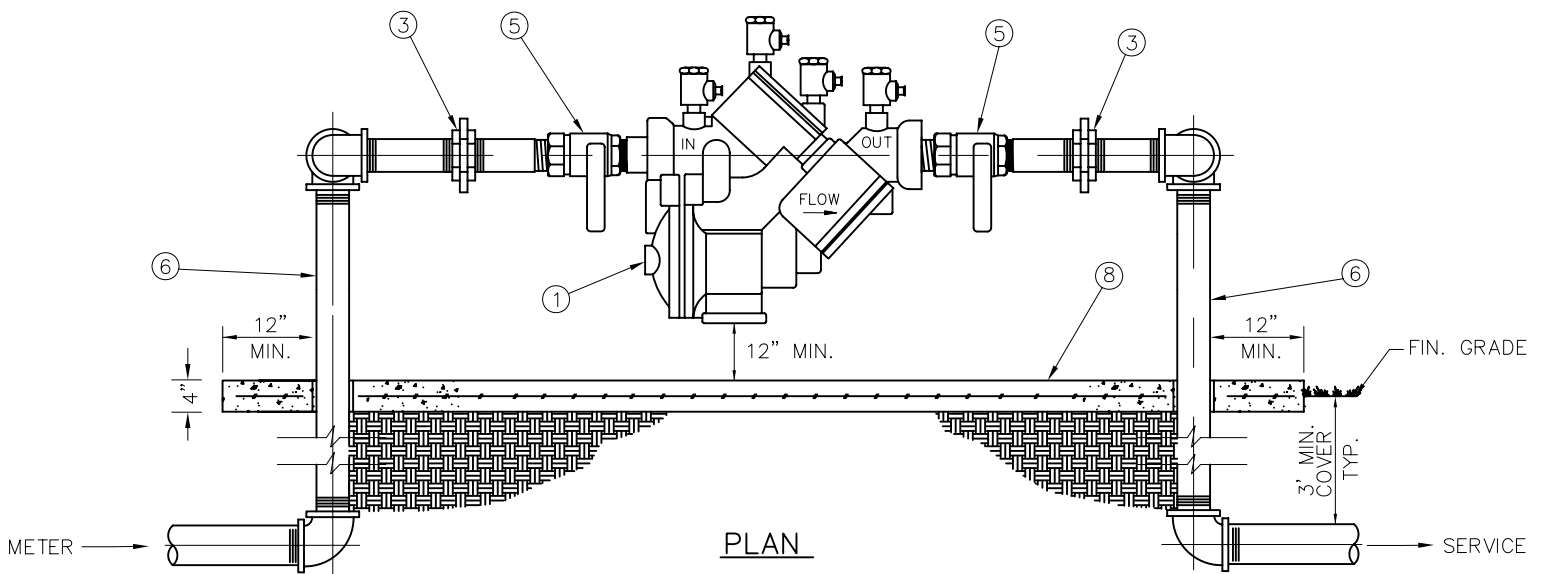
DOUBLE CHECK VALVE
ASSEMBLY/BACKFLOW PREVENTER
(SINGLE SERVICE: 3/4", 1", 1-1/2", 2")

Florida Governmental Utility Authority

PROVIDED FOR INFORMATIONAL
PURPOSES ONLY.



SECTION



PLAN

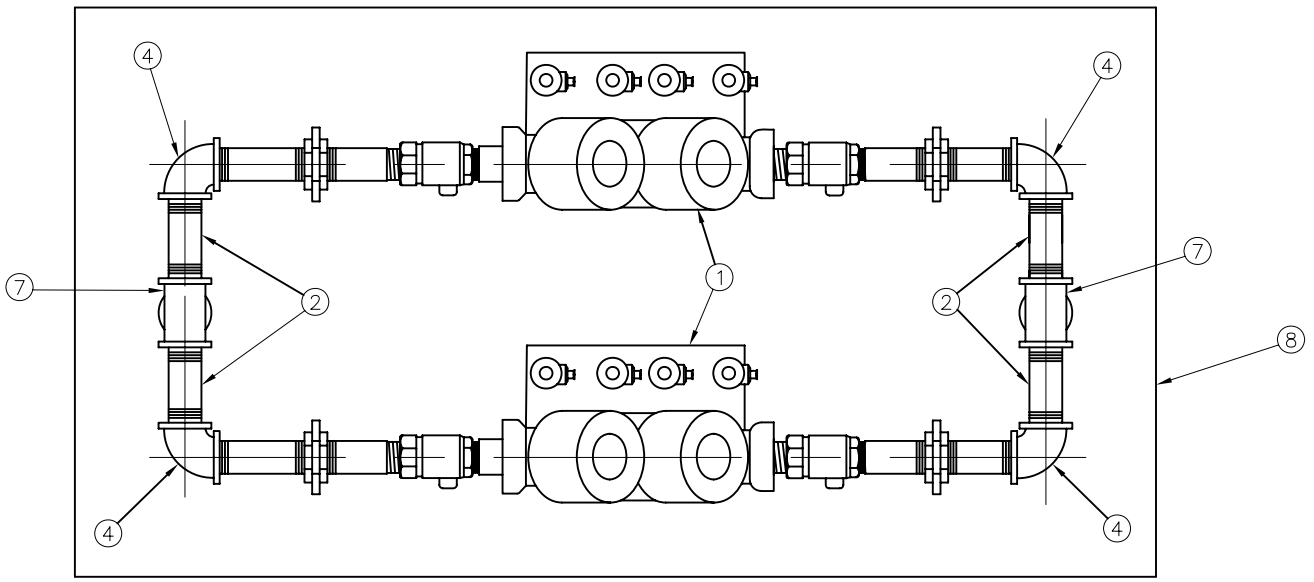
M A T E R I A L S		
ITEM	QUANT.	DESCRIPTION
1	2	BACKFLOW PREVENTER ASSEMBLY, RPZ
2	4	6" NIPPLES - GALVANIZED
3	4	UNION - GALV.
4	4	90° ELBOWS - GALV.
5	4	BALL VALVES - BRASS OR S.S.
6	2	RISER - GALV.
7	2	TEES - GALV.
8	*	CONCRETE SLAB

- NOTE:
- FIELD ADJUST AND CUT ITEM 6 TO THE PROPER LENGTH.
 - BFP DEVICE TO BE INSTALLED LEVEL AND PLUMB
 - MINIMUM CLEARANCE OF 24" TO BE MAINTAINED AROUND DEVICE FOR TESTING.
 - ENTIRE ASSEMBLY TO BE PAINTED SAFETY BLUE.
 - CONCRETE SLAB TO EXTEND 12" MIN. AROUND ENTIRE DEVICE.
 - DEVICE MUST BE LISTED WITH THE UNIVERSITY OF SOUTHERN CALIFORNIA FOUNDATION FOR CROSS CONNECTION CONTROL AND HYDRAULIC RESEARCH.
 - **NO ABOVE GROUND PLASTIC PIPING**

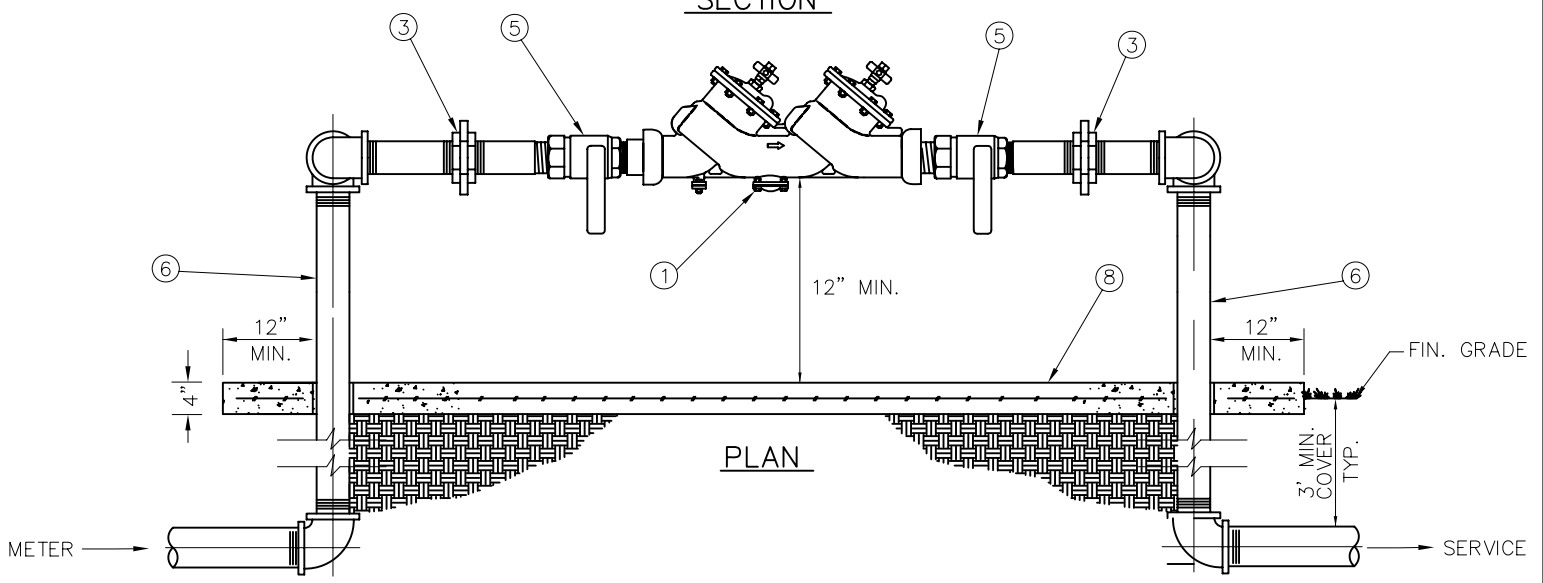
REDUCED PRESSURE BACKFLOW PREVENTER
 PARALLEL INSTALLATION
 (3/4", 1", 1-1/2", 2")

PROVIDED FOR INFORMATIONAL
 PURPOSES ONLY.

Florida Governmental Utility Authority



SECTION



PLAN

M A T E R I A L S		
ITEM	QUANT.	DESCRIPTION
1	2	BACKFLOW PREVENTER ASSEMBLY, Double Check Valve
2	4	6" NIPPLES - GALVANIZED
3	4	UNION - GALV.
4	4	90° ELBOWS - GALV.
5	4	BALL VALVES - BRASS OR S.S.
6	2	RISER - GALV.
7	2	TEES - GALV.
8	*	CONCRETE SLAB

- NOTE:
- FIELD ADJUST AND CUT ITEM 6 TO THE PROPER LENGTH.
 - BFP DEVICE TO BE INSTALLED LEVEL AND PLUMB
 - MINIMUM CLEARANCE OF 24" TO BE MAINTAINED AROUND DEVICE FOR TESTING.
 - ENTIRE ASSEMBLY TO BE PAINTED SAFETY BLUE.
 - CONCRETE SLAB TO EXTEND 12" MIN. AROUND ENTIRE DEVICE.
 - DEVICE MUST BE LISTED WITH THE UNIVERSITY OF SOUTHERN CALIFORNIA FOUNDATION FOR CROSS CONNECTION CONTROL AND HYDRAULIC RESEARCH.
 - **NO ABOVE GROUND PLASTIC PIPING**

BACKFLOW PREVENTER PARALLEL
 INSTALLATION – **Double Check Valve**
 (3/4", 1", 1-1/2", 2")

PROVIDED FOR INFORMATIONAL
 PURPOSES ONLY.

Florida Governmental Utility Authority